

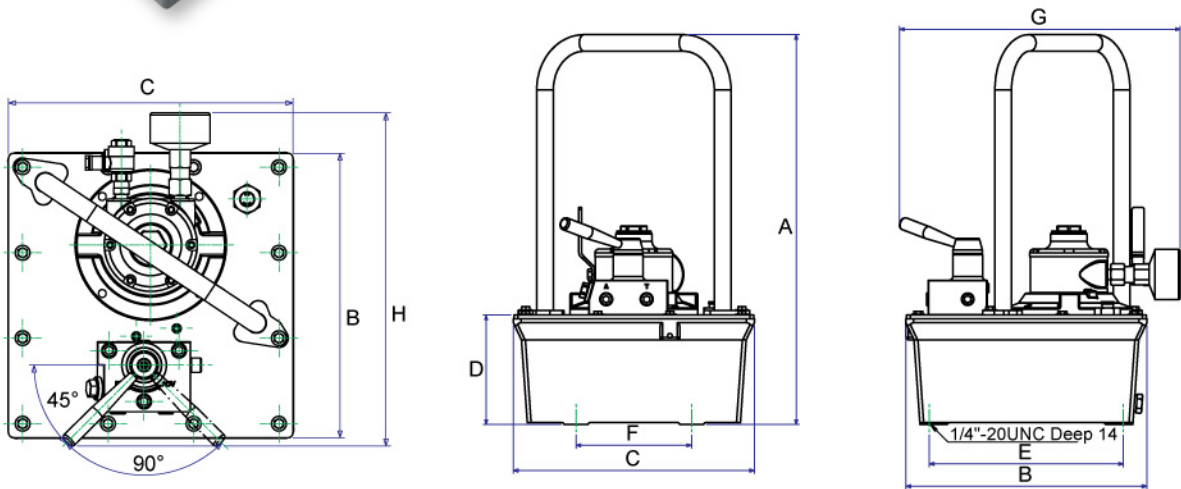


## MODEL: AP18 SERIES

Single & Double acting models  
Max. working pressure: 700 BAR

### FEATURES

- Dual-speed operation for fast speed cylinder advance.
- 8L durable aluminum reservoir design.
- Air motor capable of starting under full load.
- Automatic over-load relief valve protects components of the hydraulic systems and ensures safe operation.



### SPECIFICATION

Model No.	Acting	Max. Pressure Output (psi)	Valve		Oil Del. ( c.c./min. @ )*			
			Type	Function	0(psi)	100(psi)	5000(psi)	10000(psi)
AP18S	Single	10,000	2 Position / 2 Way	Advance /Retract	4000	2800	330	280
AP18D	Double	10,000	3 Position / 4 Way	Advance/ Hold/ Retract	4000	2800	330	280

\* Actual flow will vary from the on site conditions.

\* AP18S: Pressure will be held when the motor is shut off.

Model No.	Reservoir Capacity (c.c.)	Usable Oil Capacity (c.c.)	A (mm)	B (mm)	C (mm)	D (mm)	E (mm)	F (mm)	G (mm)	H (mm)	Weight (kg)
AP18S	8000	7200	504	312	312	141.5	251	149.4	363	3/8"-NPT	21.5
AP18D	8000	7200	504	312	312	141.5	251	149.4	408	3/8"-NPT	22