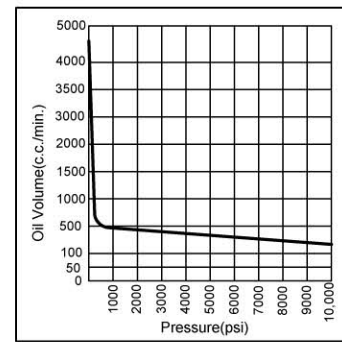




MODEL: EP18

ELECTRIC PUMPS, 8 LITER,
700 BAR/10,000psi

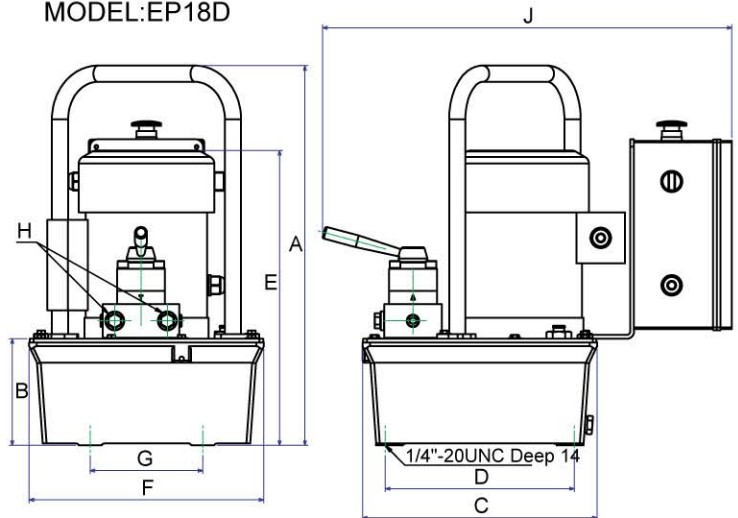
EP18



FEATURES

- Original pumps are built with 1/2 HP, 220V, 50/60Hz, Single phases universal brushless motor.
- Internal relief valve (700 bars) protects the components and work safety.
- Pumps are included with 24V, 3 meters remote control cord.
- Quiet pumps comply OSHA noise limitation (80dBA at 700bar).
- EP18D specially designed for double-acting cylinders without the need for additional control valve and adapters.
- Conform to CE standards.
- Both models are available with Solenoid Valve version.**

MODEL:EP18D



Model No.	Acting	RPM 50/60 Hz	Reservoir Capacity (c.c.)	Usable Oil Capacity (c.c.)	Motor	Max.Pressure OutPut (psi)	Valve		Oil Del.(c.c./min. @)*(60Hz)			
							Type	Function	0(psi)	100(psi)	5000(psi)	10000(psi)
EP18S	Single	2860 /3450	8,000	7,200	0.45 KW 220V 50/60 Hz	10,000	2 Position / 2 Way	Adv./Hold	4,000	2,800	330	280
EP18D	Double	2860 /3450	8,000	7,200	Single Phase	10,000	3 Position / 4 Way	/Retract	4,000	2,800	330	280

Model No.	A (mm)	B (mm)	C (mm)	D (mm)	E (mm)	F (mm)	G (mm)	H	J (mm)	Weight (kg)
EP18 Series	504	141.5	311.6	251	391.5	311.6	149.4	3/8"-NPT	543.5	31.7

* The weight is excluding the hydraulic oil.