

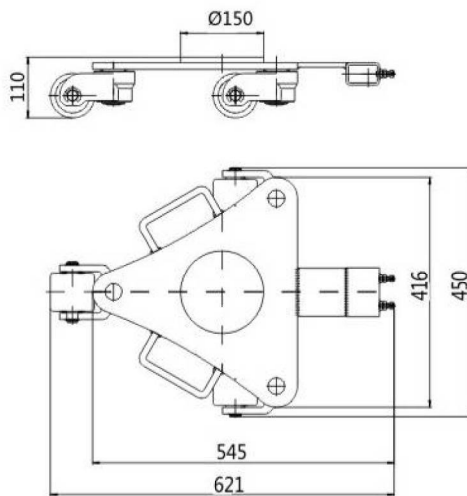


Rotating trolleys WCRP series

WCRP-3, WCRP-5



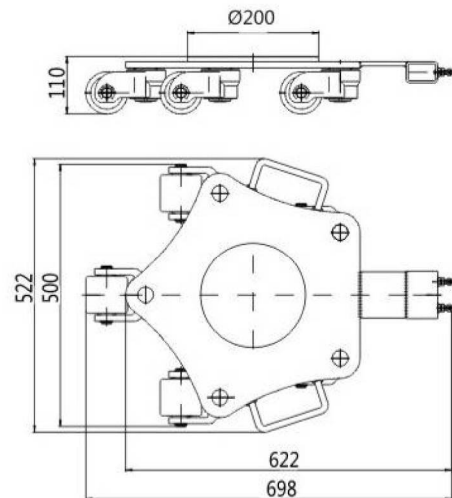
WCRP-3



WCRP-3



WCRP-5



WCRP-5

Stock NO.	210900301	210900501
Model	WCRP-3	WCRP-5
(Ton) Load capacity	2	4
(mm) Installation height	110	110
(mm) Rollers dimensions	Ø80×70	Ø80×70
Rollers quantity	3	5
(mm) Supporting surface	Ø150	Ø200
(mm) Overall dimensions	621×450×110	698×522×110
(kg) Tare weight	21	35

- * Cassettes could be used in tandem using connecting rod.
- * The trolleys can be attached to steering rod.
- * Connecting rod (standard length = 1500 mm) and steering rod with tow lung are optional. Other lengths are available on request.

* Note: Data are subject to revision without prior notice.